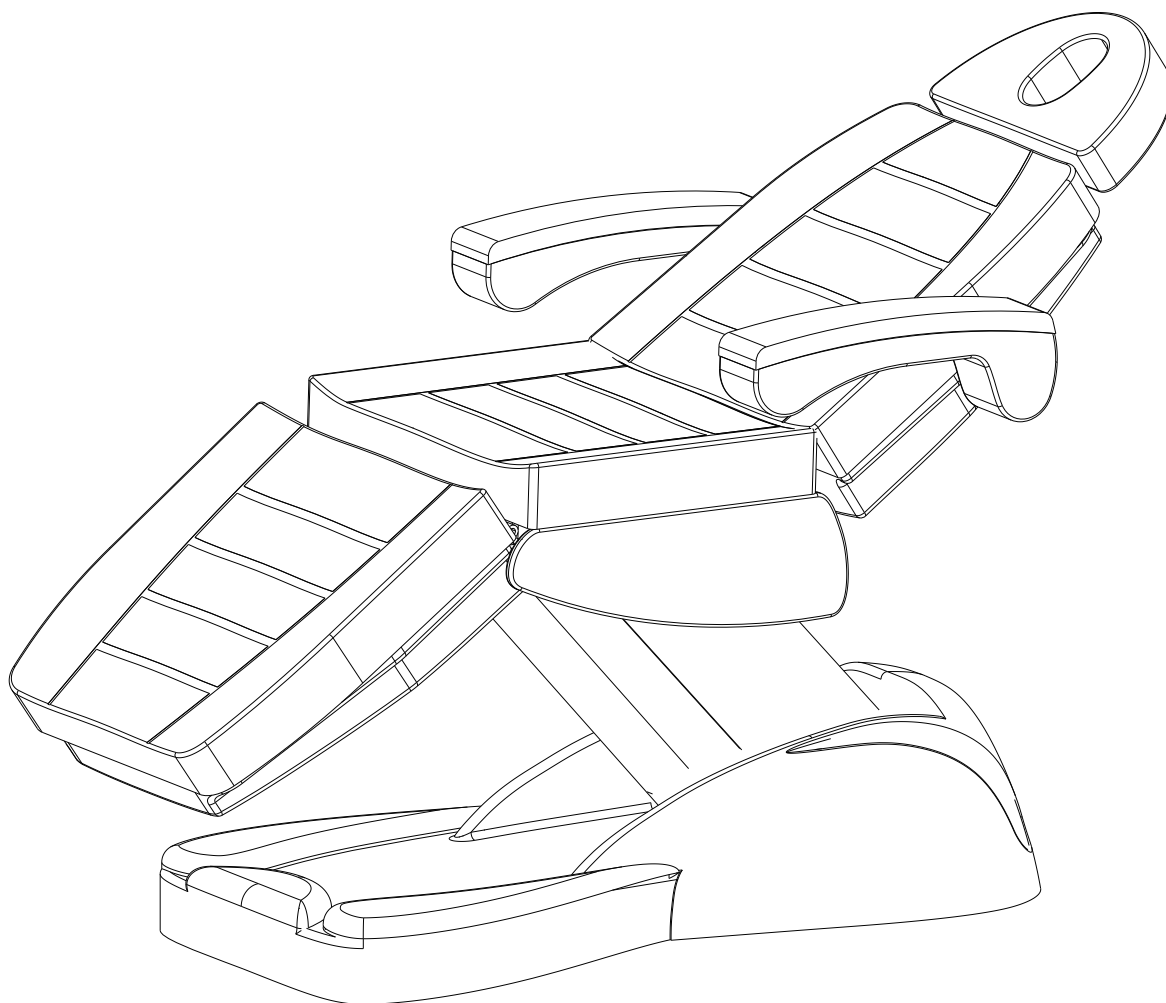


CLAVI

WKE014.3.A26

Electric beauty bed user manual



Welcome to use this electric beauty bed
Please read the instructions carefully when using this electric beauty bed

① About the manual

This manual is only for the reference of the use and operation of the electric beauty bed. The company does not undertake any consequences and responsibilities arising from other purposes.

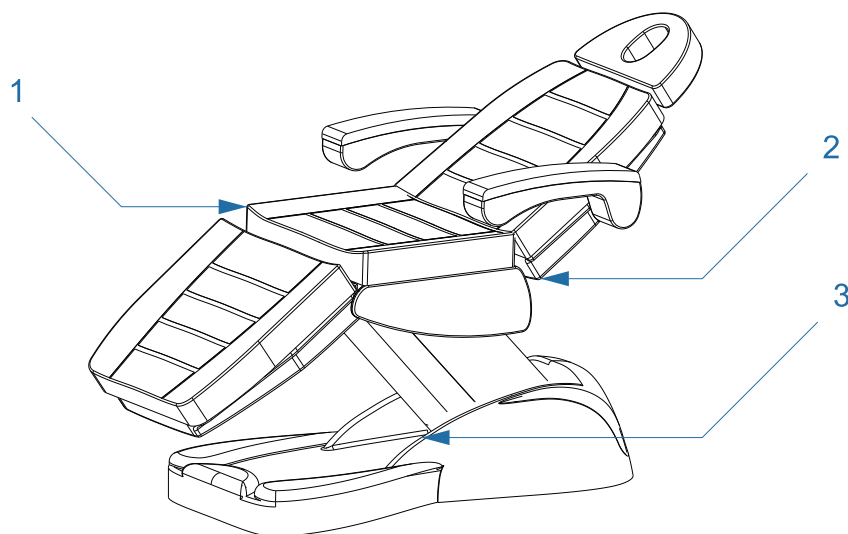
② Caution

- Power must be cut off when changing electrical components or performing maintenance and cleaning of the machine.
- The plug must be fully plugged into the socket to avoid fire or electric shock.
- Do not stand on the product
- Do not allow children to play with this product; And when adults leave, please put the backrest to the highest position.
- To avoid electric shock or failure occurs, do not put the product in the bathroom and other damp places; The controller also needs to avoid water.
- Do not operate the product in a place where it is being painted/sprayed or oxygenated.
- People with physical disorder, tactile disorder, mental disorder, lack of experience or common sense, as well as children, are not allowed to use this product, unless there are people who can be responsible for their personal safety.
- If the plug is damaged, please contact the manufacturer, agent or someone with relevant skills to replace it, so as not to cause danger.
- During the operation of this product, make sure that there are no touching objects in the range of movement.
- This product can only be used by beauty practitioners with professional qualifications.

③ Indicative statements

- This product must be in the charge of a special person. The operator must be familiar with the structure, performance and use of the product. Perform regular maintenance work.
- The operator of the product should use the product in strict accordance with the machine operation manual and operation procedures, and keep the manual well.
- The operator of the product should use the product in strict accordance with the machine operation manual and operation procedures, and keep the manual well.
- Tighten bolts and nuts regularly to avoid faults caused by loosening, vibration, sliding and falling off of components.

- The operator shall not disassemble the parts of the product at will during the maintenance of the machine and equipment.
- This product shall not run with malfunction, if abnormal phenomenon or abnormal sound is found, it must be stopped immediately for inspection. It can continue to work after troubleshooting.
- The operator must be familiar with the precautions in each chapter of the product instruction manual to ensure the safety of the person and the product.
- This product uses a three-wire power supply wire, which must be inserted into a three-hole power socket with ground wire to ensure that the product is properly grounded, so as to prevent the operator from accidental electric shock, and also ensure the product works correctly.
- Please strictly follow the warning signs on the product.
- When carrying out the motor lifting operation of direct control products, the control key must be continuously pressed and pressed until the desired position and then released.
- When using the electric push rod of this product, it should be noted that the working cycle is Max.2Min.ON and 18Min.OFF (the maximum continuous working time is 2 minutes, and it can be operated again after 18 minutes' stop working).
- Repairs must be carried out by trained professionals.
- After finish using it, use neutral reagent to remove dust and stains on the leather surface and plastic parts.
- When pressing the button of the controller to adjust the Angle of backrest, seat cushion, footrest and the whole bed height, it is forbidden to place hands, feet and other body parts in the position pointed by the arrow in the following figure.(See the figure below)



④ Range of application

This product is suitable for nursing, beauty, massage, manicure etc.. purposes.

⑤ Installation

1、 According to the overall layout of beauty shop or house, lighting, use method and other specific circumstances, determine the installation position. The machine should be placed in a clean, dry, ventilated and cool place, to keep it in a good working environment.

2、 Open package inspection

Open the outer packing box and check whether the whole machine is in good condition. If you have any questions, please contact the distribution unit or our company immediately.

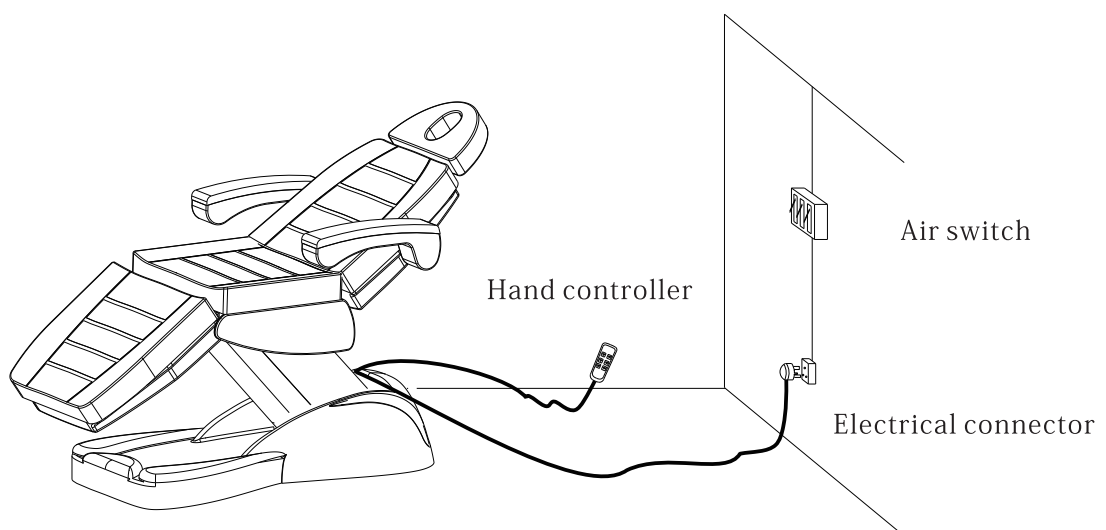
3、 Beauty bed installation

Place beauty bed by predetermined position first, the design of this machine already considered the stable performance of the whole machine, because this need not install foundation to fix screw. But the ground that beauty bed rubber foot place contacts must be level, solid ground, in case cause an accident because the ground is uneven. If the whole machine can be rotated or tilted due to uneven ground, you can manually adjust the 4 screws below the bottom frame of the beauty bed to fix the rubber foot, so that it maintains a level state. When adjusting, the level of the whole machine should be maintained to ensure that the rubber feet touch the ground as much as possible to ensure the stability of the whole machine.

4、 Power and control panel connection

Connect the power supply, hand control board and foot control board as shown in the following figure. Power use 110-120V/60Hz, 220-240 v / 50 hz alternating current

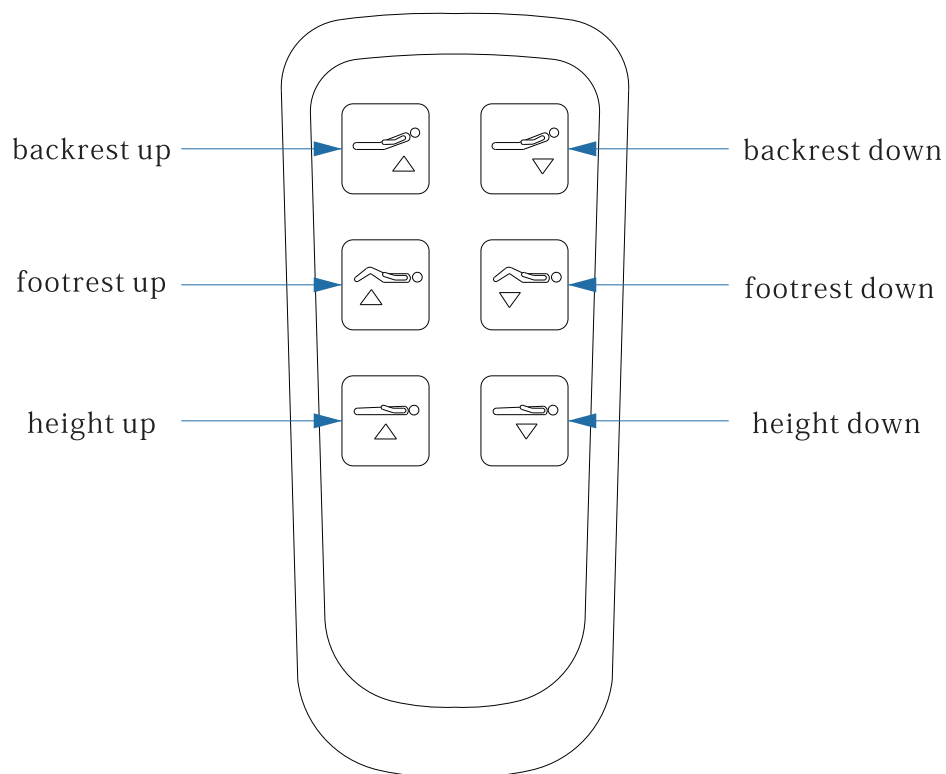
5、 Insert the product power plug into the power box correctly. (See the picture below)



⑥ Product structure composition

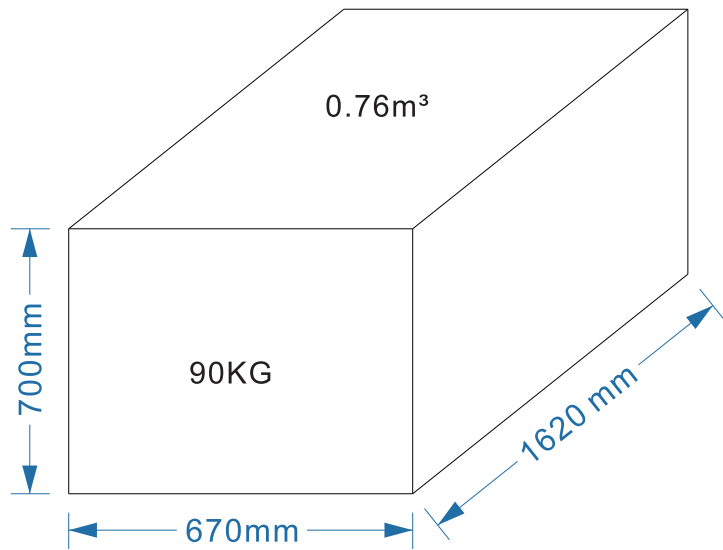
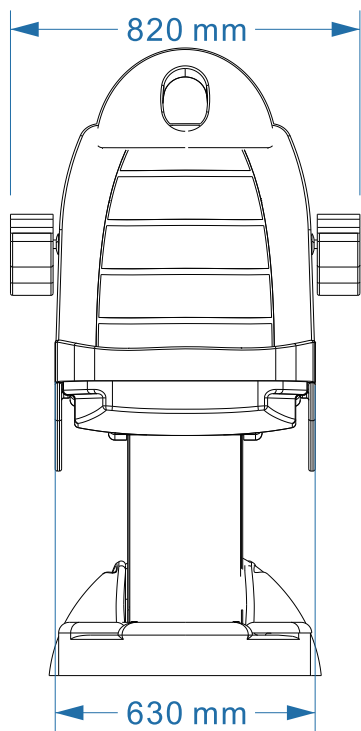
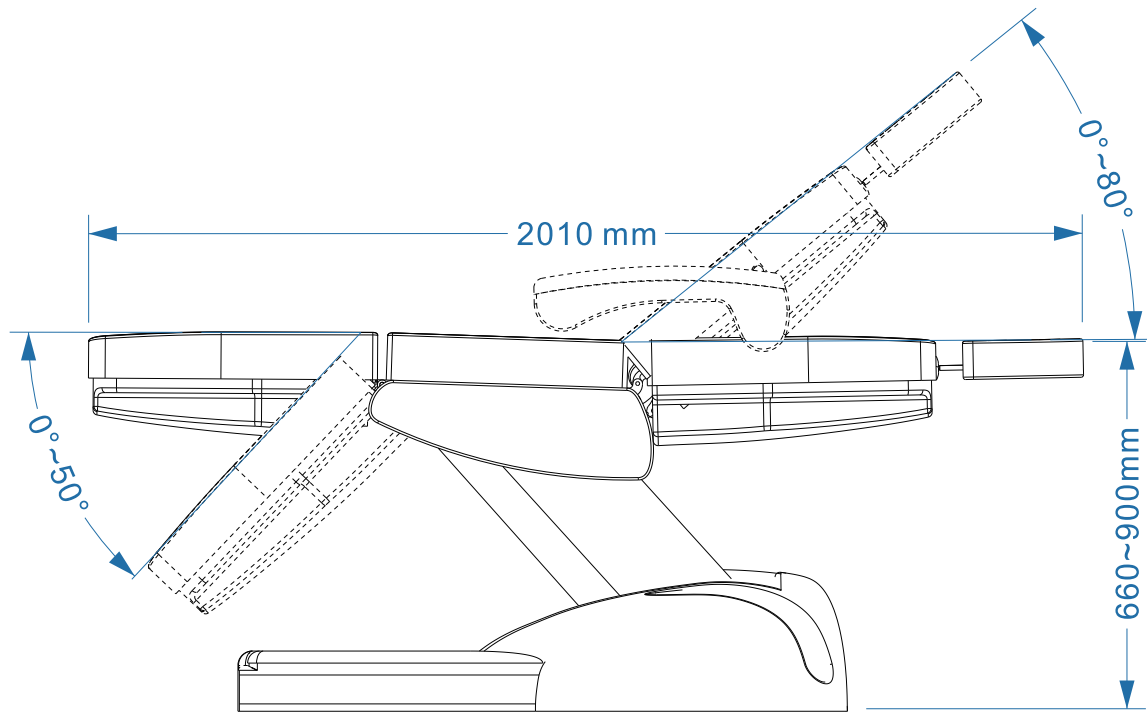
- Beauty bed is made of the remote control, motor, hardware, plastic parts, leather components. The program controller has a hand controller connection and motor motion control function.
- This manual, beauty bed includes the Angle control part of backrest, seat cushion, footrest, and bed lifting control part, is the integral integration structure.

⑦ Key description and operation method



⑧ TECHNICAL DATA

Power	AC100-120V AC100-240V50/60Hz
Max power	150W
ambient temperature	0°~+40°
relative humidity	30%~90%
Lifting rating	180KG
Package size	162*67*70CM
Net weight	80KG
Gross weight	90KG



9

MAINTENANCE AND CARE

1、

After finish using, apply neutral reagent to leather, plastic parts, hardware and other components to rinse the dust and stains on the skin, prohibit the use of alcohol, strong acid, strong alkali and other solvents, in order to prevent skin, premature aging of plastic parts.

2、

Moving parts are lubricated periodically (for one year).

10 TROUBLESHOOTING

The fault phenomenon	cause	Processing method
Abnormal Sound	The moving parts are short of lubricating oil	Lubricating oil
Not working properly	The power cord is not connected or plugged in properly	Connect or plug the power cord
	Hand/foot controller quality problem	Replace the hand/foot controller
	Motor fault	Please contact the service center or supplier for exclusion

- ▲ Please check the product specification before use, this manual is for reference only, Specifications are subject to change without prior notice



Pol. Ind. La Valldan
 Camí de Garreta, 92
 08600 Berga
 Barcelona - Spain
 T. +34 93 824 90 20
 E. info@weelko.com