

# Beauty Beds



DOSSIER



## INDEX

### ELECTRIC BEDS

Front	2
Tempo	4
Eth	6
Maxi	8
Vome	10
Ster	12
Operation	14


### HYDRAULIC BEDS

Lacris	16
Palt	18
Ment	20
Platy	22

### STATIC BEDS

Vomex	24
Mylo	25

SUMMARY TABLE	26
---------------	----



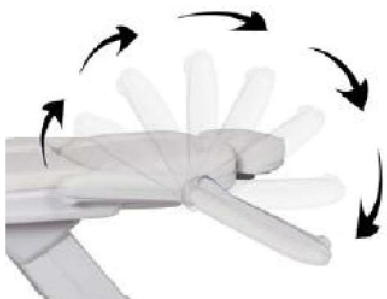
The wide range of **beauty beds** that Weelko offers is highlighted for its great quality-price relationship. A range of possibilities that adapts to each professional's needs in each concrete situation.

Choose a foot-operated model if you want to have absolute control over your bed and free hands to be devoted to your patient, a rotary bed to save space and with facial hole to offer the maximum comfort during the massage.

With **Weelko**, your choice is always made-to-measure!

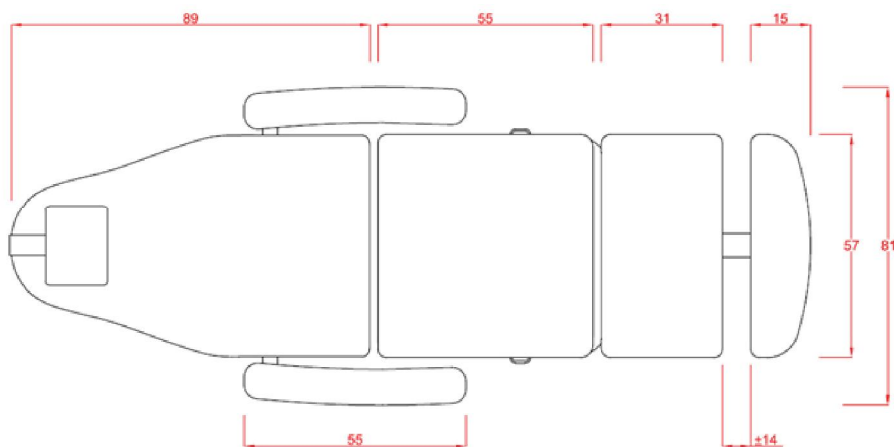
**FRONT****STANDARD FEATURES**

Height	64/100 cm
Width (with/without armrest)	57/81 cm
Total length	196 cm
Base measurements	107/55 cm
Mattress thickness	7 cm
Mattress density	27 g/cm <sup>3</sup>
Backrest inclination	0°~+85°
Legrest inclination	0°~-75°
Seat inclination	-4°~+10°
Trendelenburg (min./max. height)	Yes (88/116 cm)
Facial hole	Yes
Headrest regulation	No. Removable cushion included
Footrest regulation	Yes, extendable (±14 cm)
Maximum load	180 Kg
Upholstery	PU
Number of motors	3 or 4
Hand controller	Yes (included as standard)



## TECHNICAL DATA

Reference	2244 / 2244B
Voltage	220 V/240 V
Frequency	50/60 Hz
Consumption	0,12 kWh
Net weight	86 kg
Gross weight	103 kg
Packing size	172x62x72 cm



## OPTIONS

Bed cover



Rubber wheels



Foot controller



Heating



Paper Roll Holder

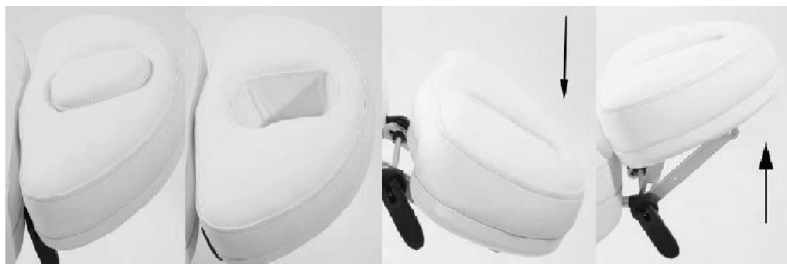


# TEMPO



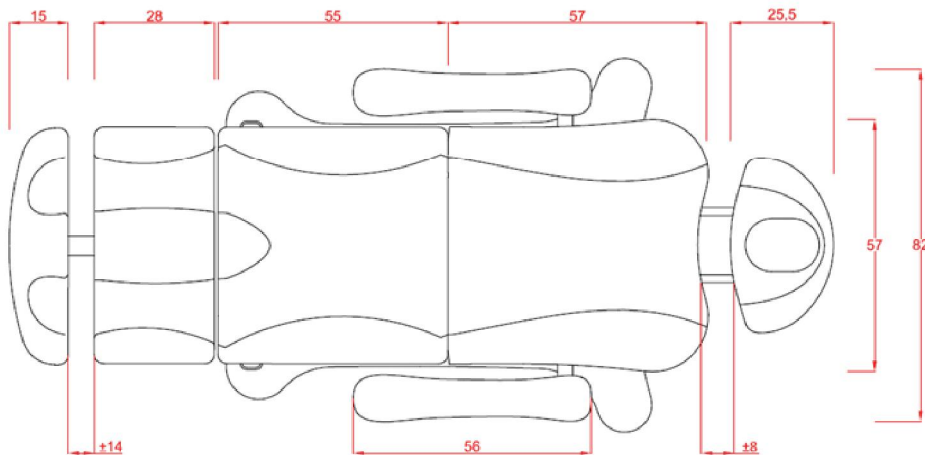
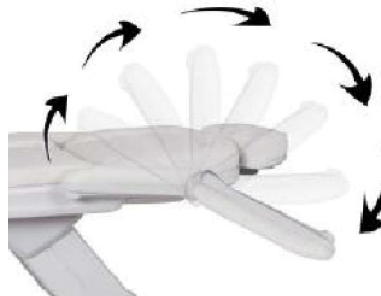
## STANDARD FEATURES

Height	60/90 cm
Width (with/without armrest)	82/57 cm
Total length	186 cm
Base measurements	105/63 cm
Mattress thickness	9 cm
Mattress density	25 g/cm <sup>3</sup>
Backrest inclination	0°~+80°
Legrest inclination	0°~-85°
Seat inclination	0°~+10°
Trendelenburg (min./max. height)	Yes (71/102)
Facial hole	Yes
Headrest regulation	Yes, extendable (±8 cm) and inclination
Footrest regulation	Yes (±14 cm)
Seat rotation	Yes, 240° with brake system
Maximum load	180 kg
Upholstery	PU
Number of motors	3 or 4
Hand controller	Yes (included as standard)



### TECHNICAL DATA

Reference	2246 / 2246B
Voltage	220 V/240 V
Frequency	50/60 Hz
Consumption	0,12 kWh
Net weight	82 kg
Gross weight	95 kg
Packing size	136x84x64 cm



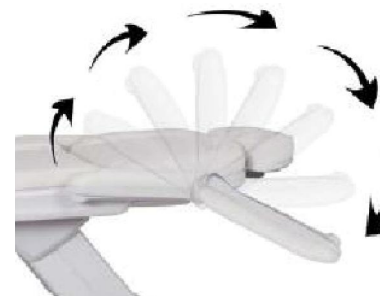
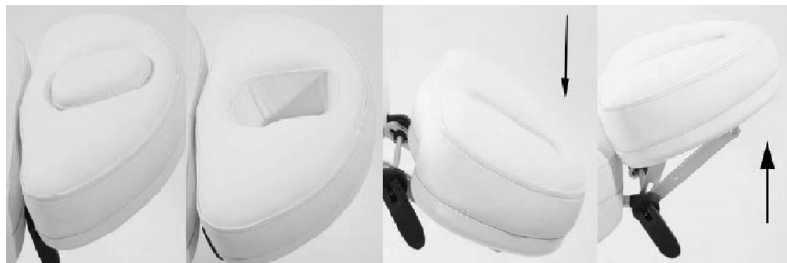
### OPTIONS

<b>Bed cover</b> 	<b>Rubber wheels</b> 	<b>Foot controller</b> 	<b>Heating</b> 	<b>Paper Roll Holder</b> 
----------------------	--------------------------	----------------------------	--------------------	------------------------------



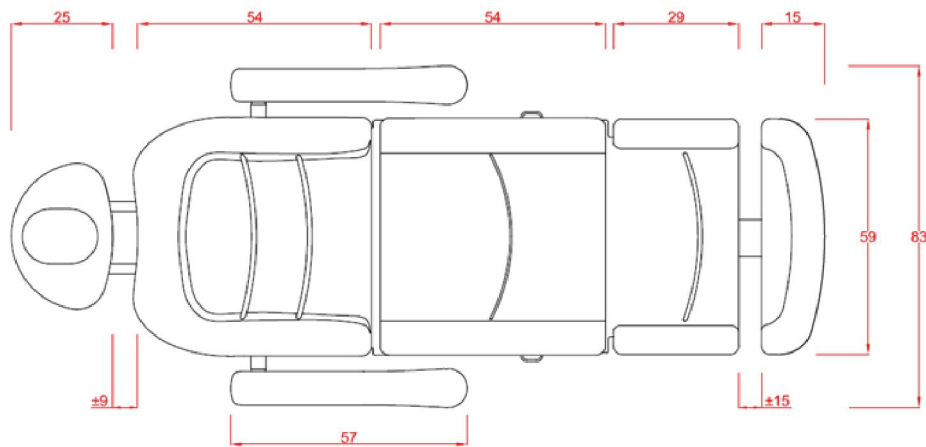
## STANDARD FEATURES

Height	68/97 cm
Width (with/without armrest)	83/59 cm
Total length	187 cm
Base measurements	128/55 cm
Mattress thickness	8 cm
Mattress density	25 g/cm <sup>3</sup>
Backrest inclination	0°~+85°
Legrest inclination	0°~-75°
Seat inclination	4°~+10°
Trendelenburg (min./max. height)	Yes (91/128)
Facial hole	Yes
Headrest regulation	Yes, extendable (±9 cm) and inclination
Footrest regulation	Yes (±15 cm)
Maximum load	180 kg
Upholstery	White PU
Number of motors	3
Hand controller	Yes (included as standard)



### TECHNICAL DATA

Reference	2237
Voltage	220 V/240 V
Frequency	50/60 Hz
Consumption	0,12 kWh
Net weight	88 kg
Gross weight	101 kg
Packing size	142x65x72 cm



### OPTIONS

Bed cover	Rubber wheels	Foot controller	Heating	Paper Roll Holder

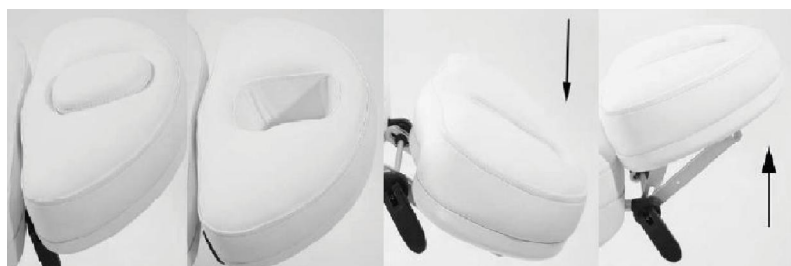


# MAXI



## STANDARD FEATURES






Height	59/88 cm
Width (with/without armrest)	85/60 cm
Total length	186 cm
Base measurements	110/60cm
Mattress thickness	9 cm
Mattress density	27 g/cm <sup>3</sup>
Backrest inclination	0°~+90°
Legrest inclination	0°~-85°
Seat inclination	0°~+10°
Trendelenburg (min./max. height)	Yes (70/102)
Facial hole	Yes
Headrest regulation	Yes, extendable (±8 cm) and inclination
Footrest regulation	Yes (±15 cm)
Maximum load	180 kg
Upholstery	White PU
Number of motors	3 or 4
Hand controller	Yes (included as standard)

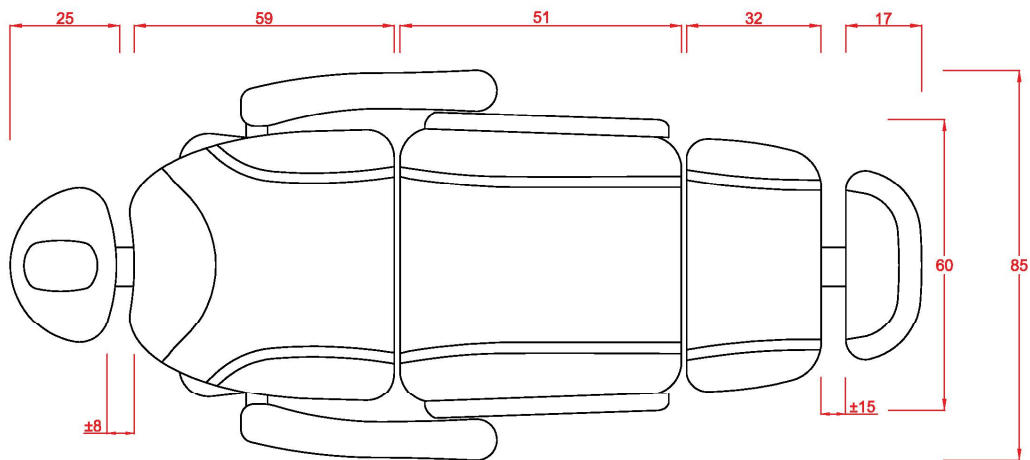


### TECHNICAL DATA

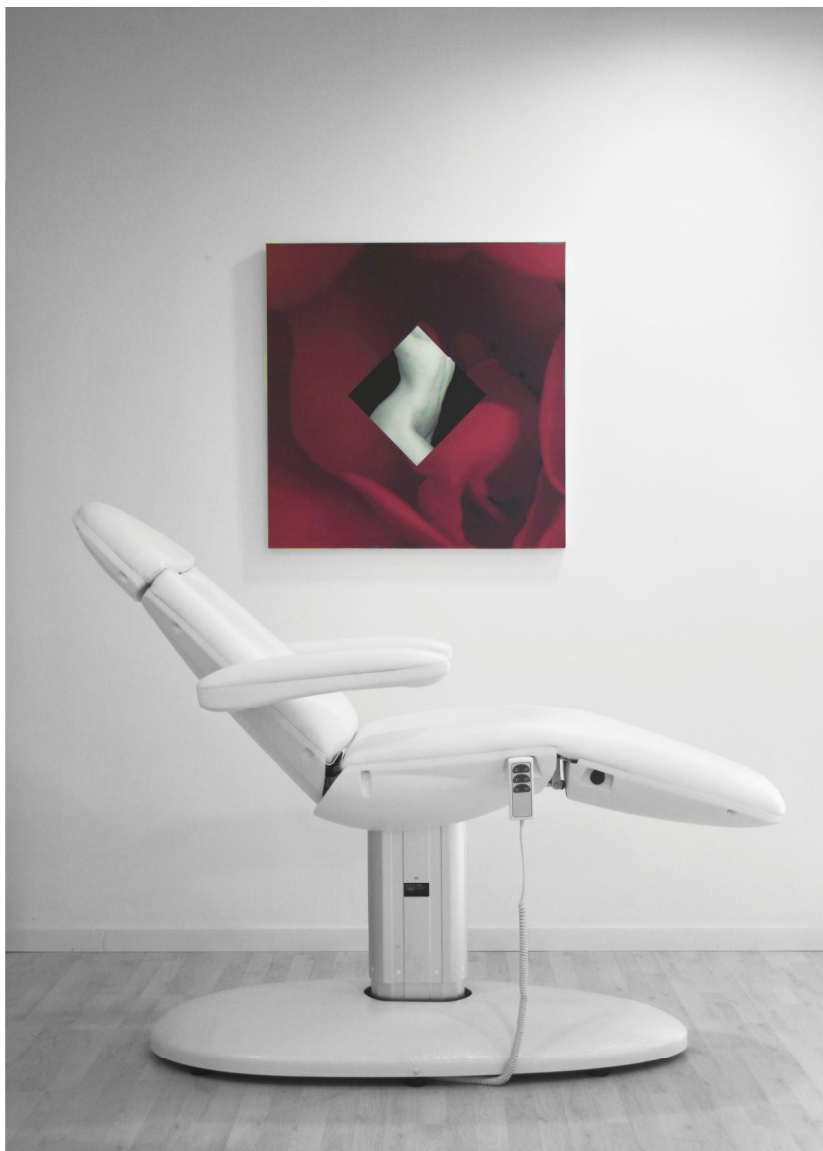
Reference	2235B / 2235D
Voltage	220 V/240 V
Frequency	50/60 Hz
Consumption	0,12 kWh
Net weight	85 kg
Gross weight	95 kg
Packing size	148x72x62 cm

### OPTIONS

<b>Bed cover</b>	<b>Rubber wheels</b>	<b>Footcontroller</b>	<b>Heating</b>	<b>Paper Roll Holder</b>
				

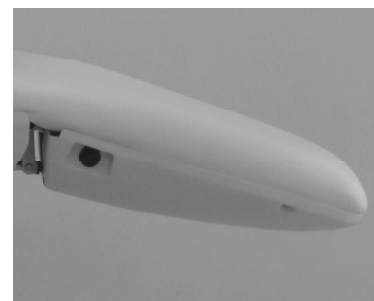


# VOME



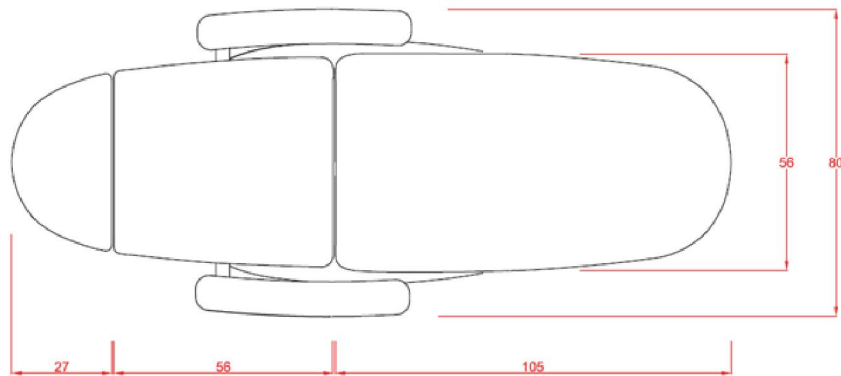
## STANDARD FEATURES

Height	63/83 cm
Width (with/without armrest)	80/56 cm
Total length	188 cm
Base measurements	130/70 cm
Mattress thickness	7 cm
Mattress density	25 g/cm <sup>3</sup>
Backrest inclination	0°~+80°
Legrest inclination	0°~-45°
Seat inclination	0°~+10°
Trendelenburg (min./max. height)	Yes (93/113)
Facial hole	No
Headrest regulation	Yes, extendable (±10 cm)
Extendable footrest	No
Maximum load	180 kg
Upholstery	White PU
Number of motors	3
Hand controller	Yes (included as standard)



### TECHNICAL DATA

Reference	2240
Voltage	220 V/240 V
Frequency	50/60 Hz
Consumption	0,12 kWh
Net weight	75 kg
Gross weight	85 kg
Packing size	170x65x70 cm



### OPTIONS

<p><b>Bed cover</b></p>	<p><b>Rubber wheels</b></p>	<p><b>Footcontroller</b></p>	<p><b>Heating</b></p>	<p><b>Paper Roll Holder</b></p>
-------------------------	-----------------------------	------------------------------	-----------------------	---------------------------------



## STANDARD FEATURES

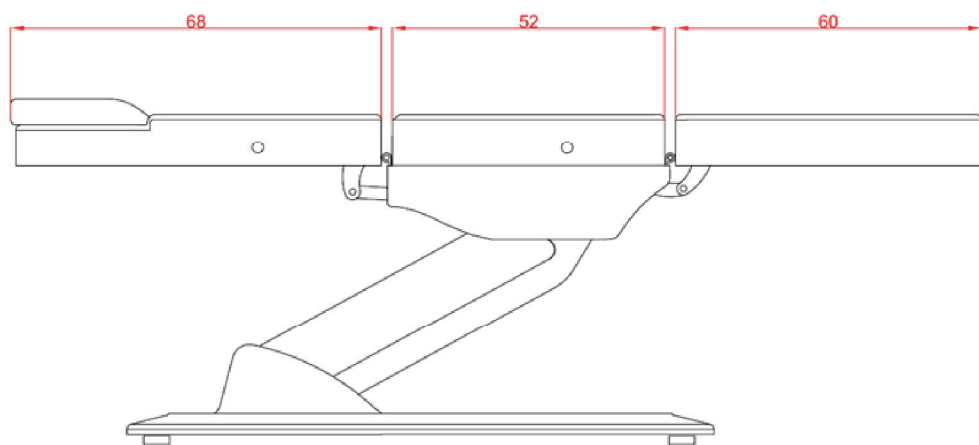
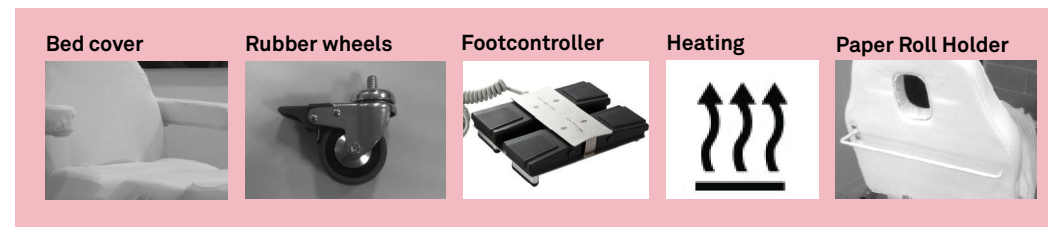
Height	59/85 cm
Width (with/without armrest)	84/62 cm
Total length	188 cm
Base measurements	130/70 cm
Mattress thickness	10 cm
Mattress density	22 g/cm <sup>3</sup>
Backrest inclination	0°~+65°
Legrest inclination	0°~-50°
Seat inclination	No
Trendelenburg (min./max. height)	Yes
Facial hole	Yes. Removable cushion included
Extendable footrest	No
Maximum load	180 kg
Upholstery	White PU
Number of motors	3
Hand controller	Yes (included as standard)



### TECHNICAL DATA

Reference	2214A
Voltage	220 V/240 V
Frequency	50/60 Hz
Consumption	0,12 kWh
Net weight	64 kg
Gross weight	77 kg
Packing size	172x65x65 cm

### OPTIONS



## MOTOR OPERATION

### Backrest adjustment

To adjust the backrest inclination, use the button which is specified on the picture and press the arrow according to the desired movement.



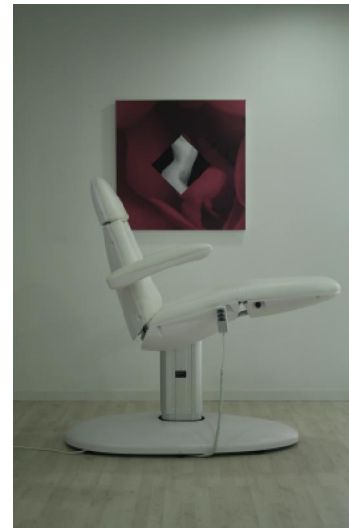
### Height adjustment

To adjust the bed height, use the button which is specified on the picture and press the arrow according to the desired movement.



### Seat adjustment

To adjust the seat inclination, use the button which is specified on the picture and press the arrow according to the desired movement.



### Footrest adjustment (in 4-motor models)

To adjust the footrest inclination, use the button which is specified on the picture and press the arrow according to the desired movement.

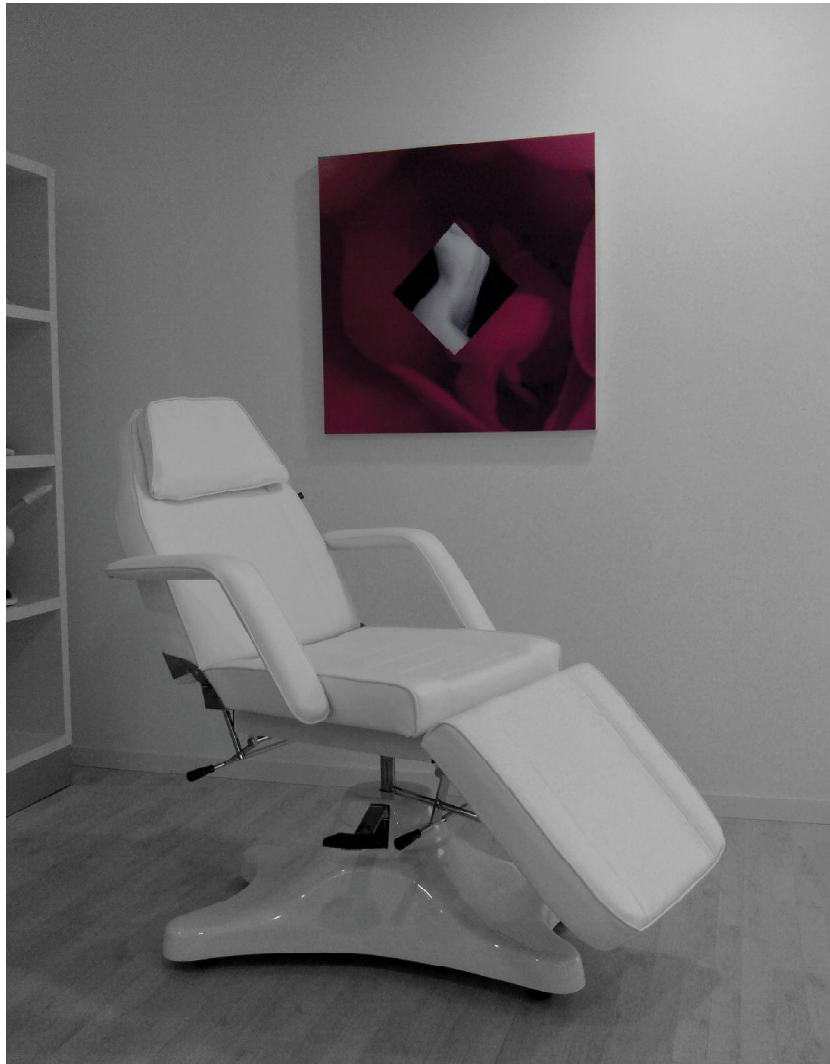




# LACRIS

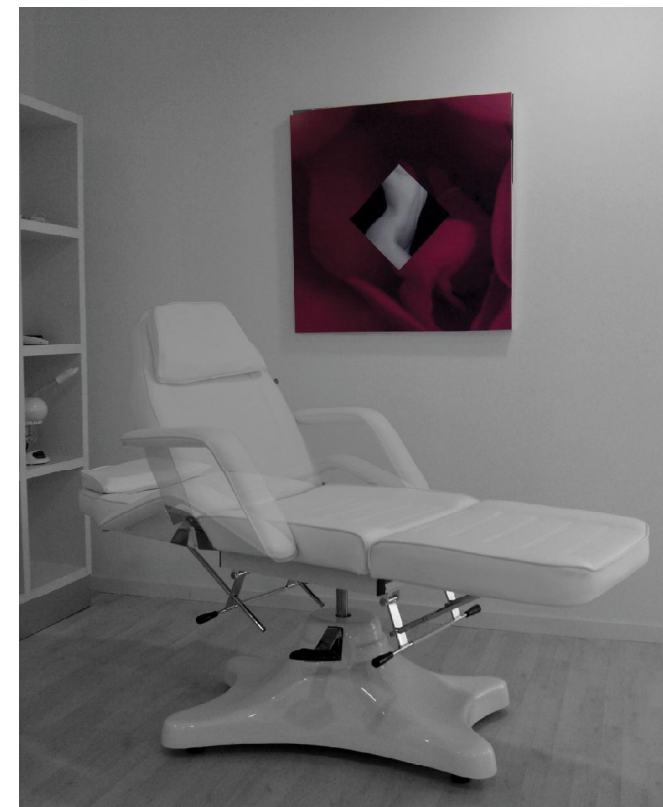
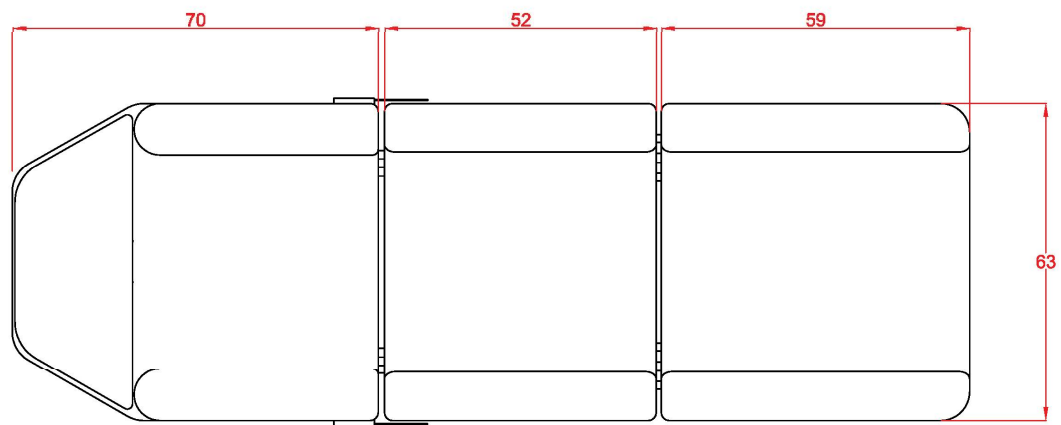
## STANDARD FEATURES

Height	56/75 cm
Width (with/without armrest)	80/56 cm
Total length	188 cm
Base measurements	59/92 cm
Mattress thickness	9 cm
Mattress density	22 g/cm <sup>3</sup>
Backrest inclination	0°~+70°
Legrest inclination	0°~-40°
Height regulation	Hydraulic bomb with brake
Trendelenburg	No
Facial hole	Yes. Removable cushion included
Extendable footrest	No
Maximum load	150 kg
Upholstery	White PVC

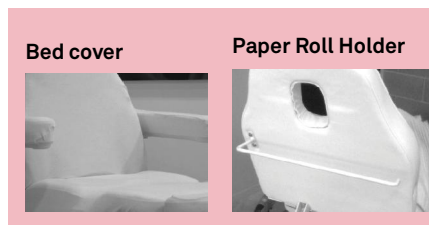


### TECHNICAL DATA

Reference	2205
Net weight	61 kg
Gross weight	71 kg
Packing size:	
-Base	87/70/44 cm
-Upper part	112/34/69 cm



### OPTIONS





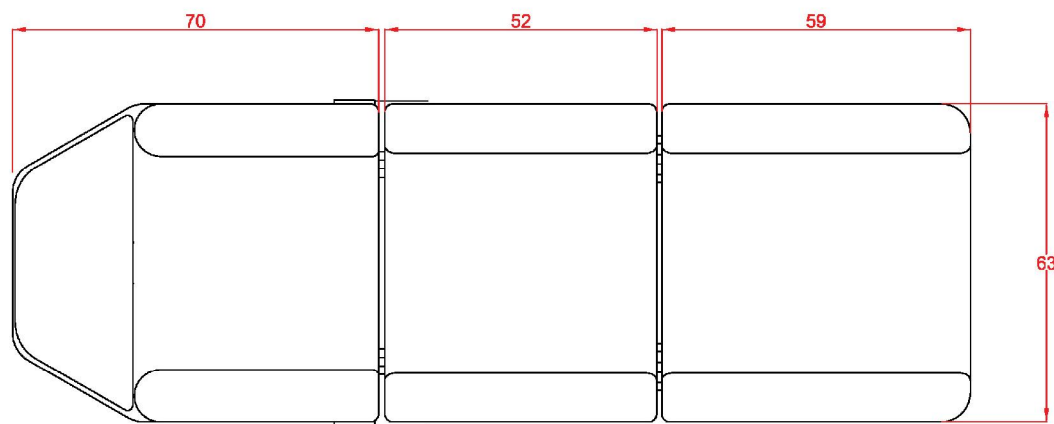
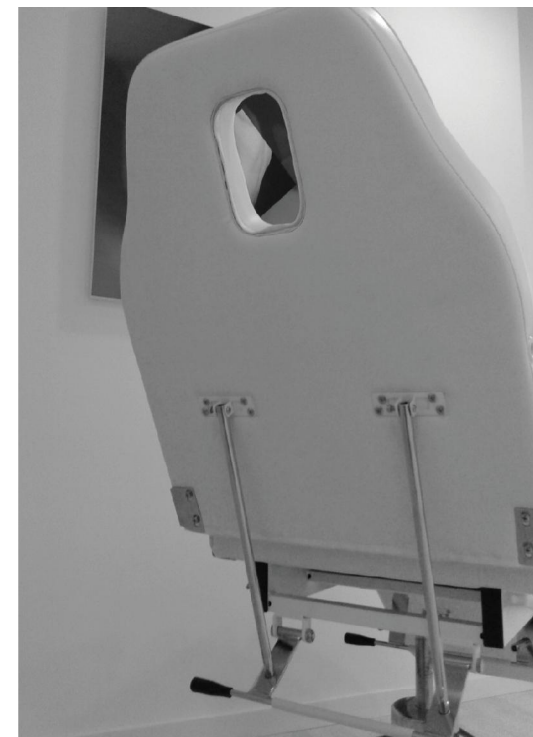
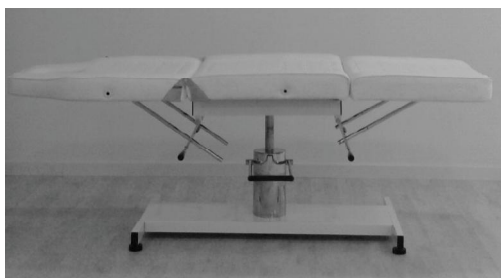
## STANDARD FEATURES

Height	56/75 cm
Width (with/without armrest)	84/62 cm
Total length	183 cm
Base measurements	100/57 cm
Mattress thickness	9 cm
Mattress density	22 g/cm <sup>3</sup>
Backrest inclination	0°~+70°
Legrest inclination	0°~-40°
Height regulation	Hydraulic bomb with brake
Trendelenburg	No
Facial hole	Yes, removable cushion included
Extendable footrest	No
Maximum load	150 kg
Upholstery	White PVC





### TECHNICAL DATA

Reference	2207
Net weight	61 kg
Gross weight	71 kg
Packing size:	
-Base	87/70/44 cm
-Upper part	112/34/69 cm



### OPTIONS

<b>Bed cover</b>	<b>Paper Roll Holder</b>
	

**STANDARD FEATURES**

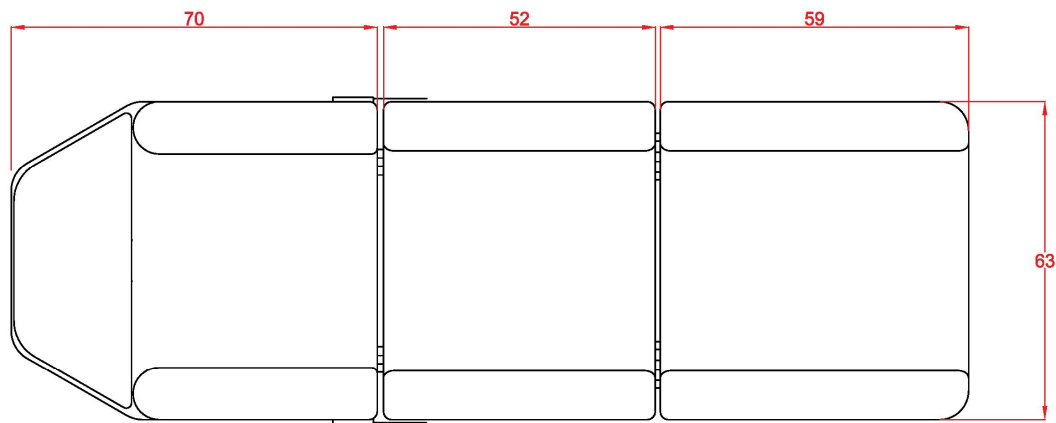


Height	56/75 cm
Width (with/without armrest)	84/62 cm
Total length	183 cm
Base measurements	85,5/ 51 cm
Mattress thickness	9 cm
Mattress density	22 g/cm <sup>3</sup>
Backrest inclination	0°~+70°
Legrest inclination	0°~-40°
Height regulation	Hydraulic bomb with brake
Trendelenburg	No
Facial hole	Yes, removable cushion included
Extendable footrest	No
Maximum load	150 kg
Upholstery	White PVC



## TECHNICAL DATA

Reference	WK_E002
Net weight	61 kg
Gross weight	71 kg
Packing size:	
-Base	87/70/44 cm
-Upper part	112/34/69 cm



## OPTIONS

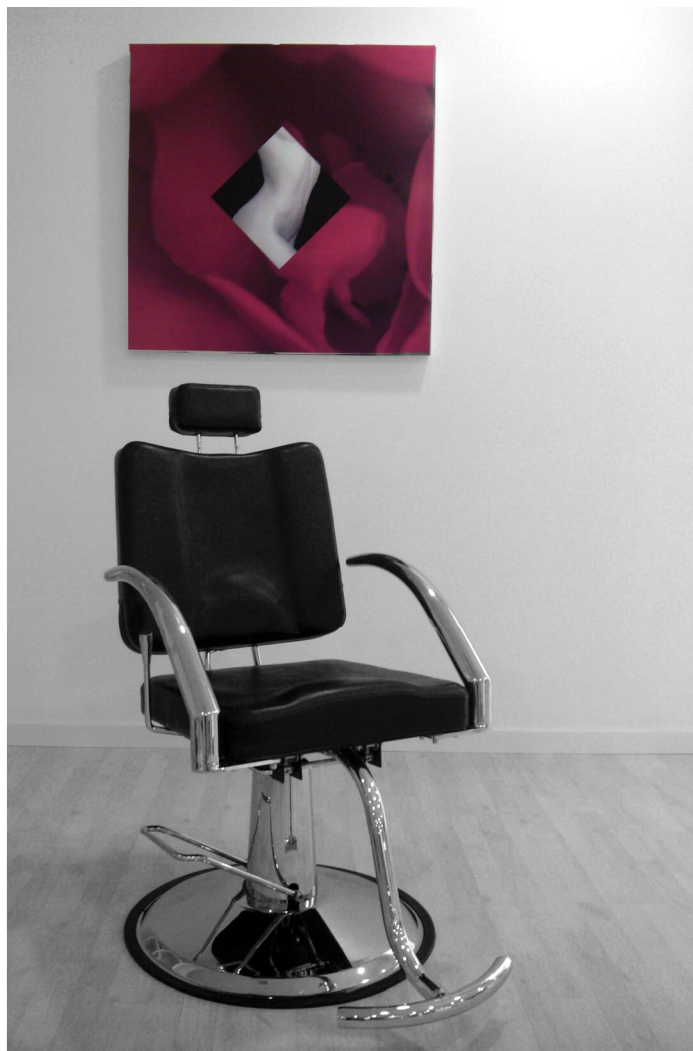
Bed cover



Paper Roll Holder



# PLATY



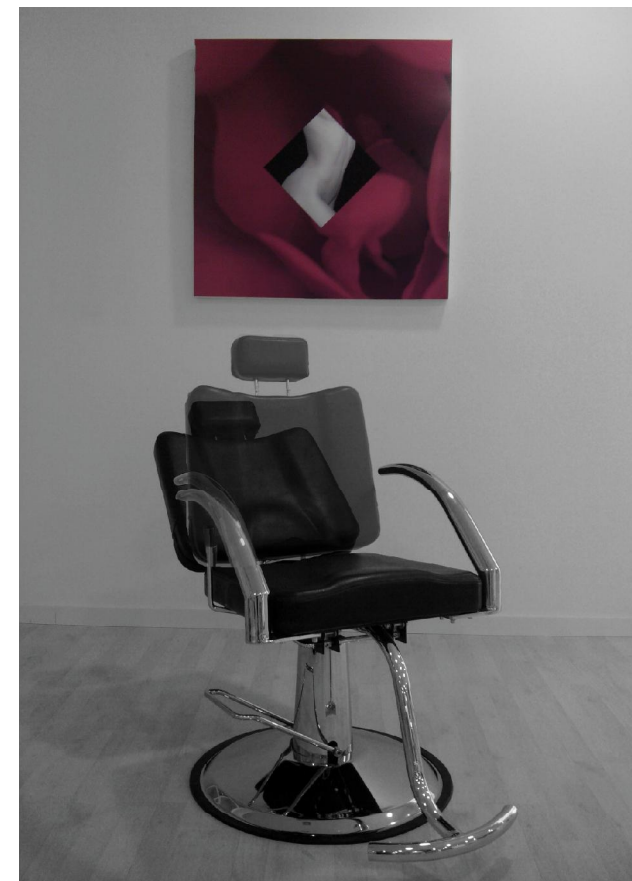
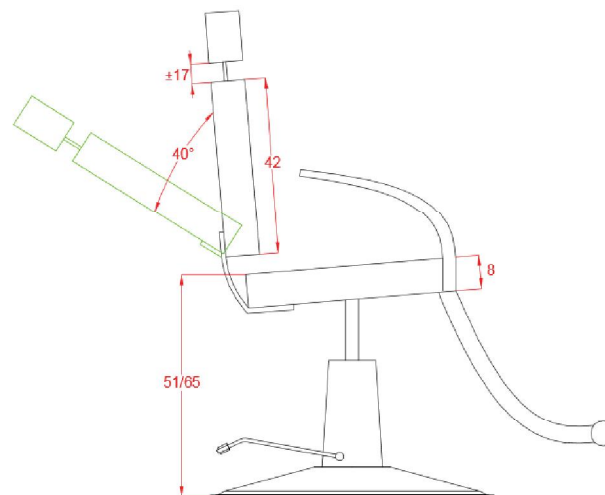
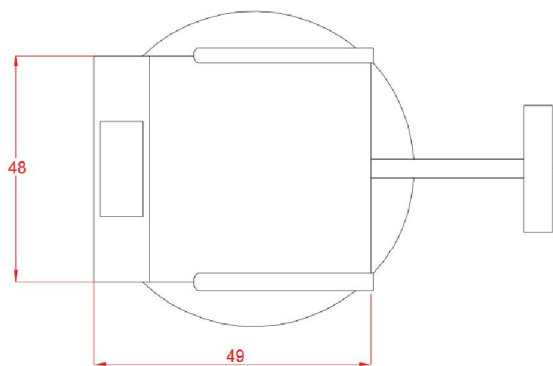
## STANDARD FEATURES

Height	51/65cm
Width (with/without armrest)	84/62 cm
Total length	183 cm
Base measurements	65 cm de diámetro
Mattress thickness	9 cm
Mattress density	22 g/cm <sup>3</sup>
Backrest inclination	0°~+70°
Legrest inclination	0°~-40°
Height regulation	Hydraulic bomb with brake
Trendelenburg	No
Facial hole	No
Extendable headrest	Yes, extendable (±17 cm)
Extendable footrest	No
Maximum load	150 kg
Upholstery	PVC



### TECHNICAL DATA

Reference	WK_E003
Net weight	37 kg
Gross weight	39 kg
Packing size:	62x62x72





# VOMEX



## STANDARD FEATURES

Height	75 cm
Width (with/without armrest)	83/63 cm
Total length	183 cm
Mattress thickness	10 cm
Mattress density	22 g/cm <sup>3</sup>
Backrest inclination	0°~+45°
Legrest inclination	0°~-45°
Height regulation	No
Facial hole	Yes, removable cushion included
Maximum load	150 kg
Upholstery	White PVC
Frame	Chrome

## TECHNICAL DATA

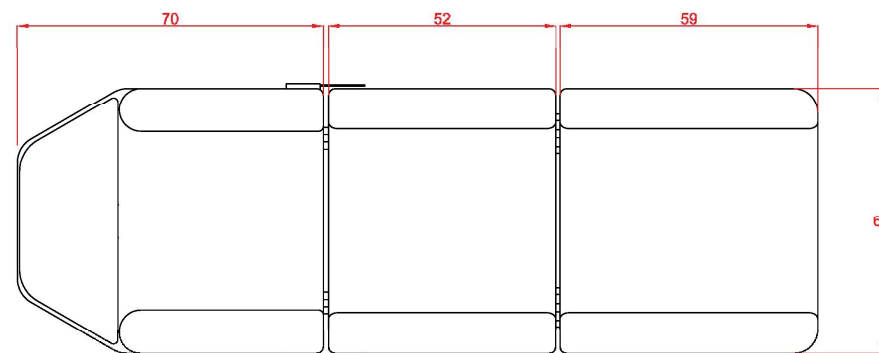
Reference	2201
Net weight	28,5 kg
Gross weight	32,5 kg
Packing size:	137x60x66 cm

## OPTIONS

Bed cover



Paper Roll Holder





**STANDARD FEATURES**

Height	75 cm
Width (with/without armrest)	83/63 cm
Total length	185 cm
Mattress thickness	10 cm
Mattress density	22 g/cm <sup>3</sup>
Backrest inclination	0°~+45°
Legrest inclination	0°~-45°
Height regulation	No
Facial hole	Yes, removable cushion included
Maximum load	150 kg
Upholstery	White PVC
Frame	Lacquered in white

**TECHNICAL DATA**

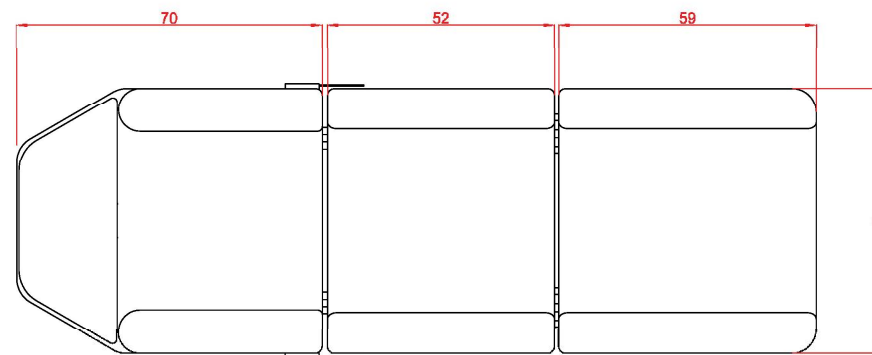
Reference	WK_E001
Net weight	28 kg
Gross weight	30 kg
Packing size:	118x65x32 cm

**OPTIONS**

Bed cover



Paper Roll Holder

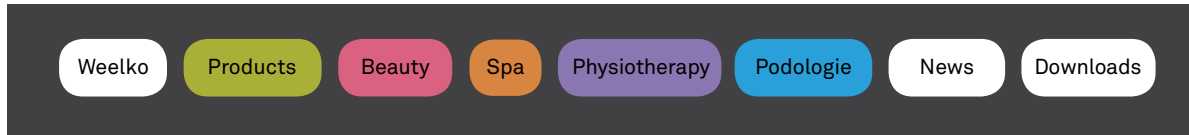


MODEL	MOTORS	HYDRAULIC with brake	PAPER ROLL HOLDER	FACIAL HOLE	TRENDELEN- BURG	EXAMINATION FLAT POSITION	REMOVABLE HEADREST	REMOVABLE ARMREST	RECLINING ARMREST
FRONT (2244B)	4	X	OPTIONAL	YES	YES	YES	NO	YES	YES
FRONT (2244)	3	X	OPTIONAL	YES	YES	YES	NO	YES	YES
TEMPO (2246B)	4	X	OPTIONAL	YES	YES	YES	YES	YES	YES
TEMPO (2246)	3	X	OPTIONAL	YES	YES	YES	YES	YES	YES
ETH (2237)	3	X	OPTIONAL	YES	YES	YES	YES	YES	YES
MAXI (2235D)	4	X	OPTIONAL	YES	YES	YES	YES	YES	YES
MAXI (2235B)	3	X	OPTIONAL	YES	YES	YES	YES	YES	YES
VOME (2240)	3	X	OPTIONAL	NO	YES	YES	YES	YES	YES
STER (2214A)	3	X	OPTIONAL	YES	NO	YES	NO	YES	NO
LACRIS (2205)	X	YES	OPTIONAL	YES	NO	YES	NO	YES	NO
PALT (2207)	X	YES	OPTIONAL	YES	NO	YES	NO	YES	NO
MENT (WK_E002)	X	YES	OPTIONAL	YES	NO	YES	NO	YES	NO
VOMEX (2201)	X	X	OPTIONAL	YES	NO	YES	NO	YES	NO
MYLO (WK_E001)	X	X	OPTIONAL	YES	NO	YES	NO	YES	NO
PLATY (WK_E003)	X	YES	NO	NO	NO	NO	YES	NO	NO



Visit our TECHNICAL INFO and download all the technical information that you may need. Pictures, dossiers, technical sheets, etc. Do not miss them!

Dossiers | Technical Zoom



Turn on the WEELKO TV at weelko.com. The best way to learn how to use our equipment. Because a picture is worth a hundred words!

